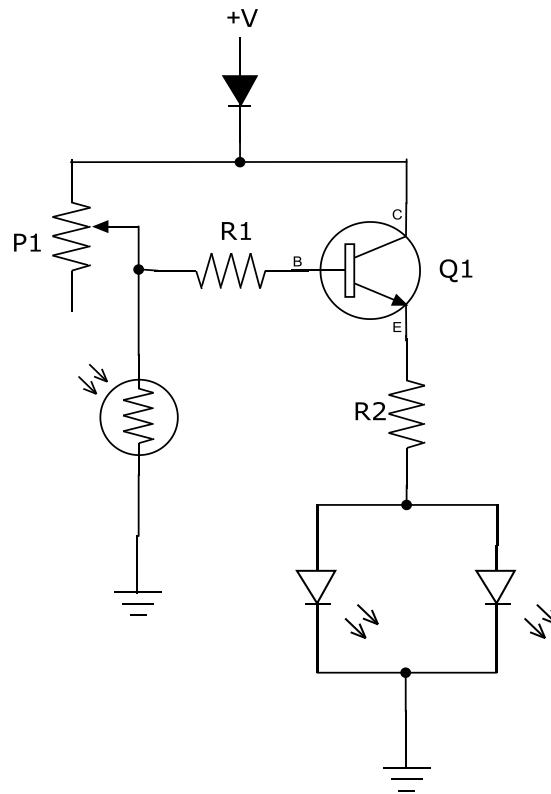


# PACE Electrical Engineering

## Automatic Night Light Project



### Parts List

	1N4006 diode
R1	22 k $\Omega$
R2	470 $\Omega$
P1	100 k $\Omega$ pot
Q1	2N3904 transistor

### Description

The LEDs in the circuit will turn on when the room is dark and turn off when the room is light. The potentiometer should initially be set to about the midpoint and adjusted so that the LEDs turn on and off under the correct conditions.

### Instructions

1. Collect all required parts and tools.
2. Build the circuit.
3. Test the circuit. Make sure it does what it is supposed to do.
4. Troubleshoot the circuit if it does not work correctly.

### Reference

Cutcher, David, *Electronic Circuits for the Evil Genius*, McGraw Hill, 2005.